

FURNACE SCHEDULE

| SYMBOL | DESCRIPTION | MAKE & MODEL | CAPACITIES | ELECTRICAL | HTG. EFF. | HTG. CAP. |
|--------|--------------------------------|---------------------|------------------------------------|----------------------------------|-----------|---|
| F | HIGH EFFICIENCY UPFLOW FURNACE | RHEEM MODEL 04EMA09 | 42 MBH TOTAL CAP, 45 MBH HTG INPUT | 115V, 1 ϕ , 1/2 HP, 6.8 FLA | 93.5% | 110" @ 2.5" E.S.P. |
| | | | | | | 125 LB5 ALTITUDE KIT, CONCENTRIC FLUE TERMINATION, 3 TON CABED COIL, HIGH CONDENSATE PUMP |

ALL CAPACITIES ARE @0/67 EAT, AND 95 DEGREE AMBIENT

CONDENSING UNIT SCHEDULE

| SYMBOL | DESCRIPTION | MAKE & MODEL | CAPACITIES | ELECTRICAL | SEER | REFRIG PIPING | ACCESORIES |
|--------|-------------------------------------|---------------------------|------------------|--------------------------------------|------|---------------|---|
| CU | AIR COOLED ELECTRIC CONDENSING UNIT | RHEEM MODEL RAKB - 036JAZ | 36 MBH TOTAL CAP | 208V, 1 ϕ , 22 MCA, 35 MAX FUSE | 12.0 | 1/2" @ 3/4" | 100 LB5 FILTER DRYER, 8IGHT GLASS, HEAT EXCHANGER |

EXHAUST FAN SCHEDULE

| SYMBOL | DESCRIPTION & AREA SERVED | MAKE & MODEL | ELECTRICAL | CFM | WT. | ACCESORIES |
|--------|-----------------------------|--------------------------|-------------------------------------|-------------------|--------|---|
| EF | CEILING MOUNTED EXHAUST FAN | PANASONIC MODEL FV-02V03 | 120V, 1 ϕ , 22.1 WATTS, 0.19 A | 50 E.S.P. @ 0.25" | 12 LB5 | ROOF CAP & FLASHING, SWITCH WITH LIGHT. |

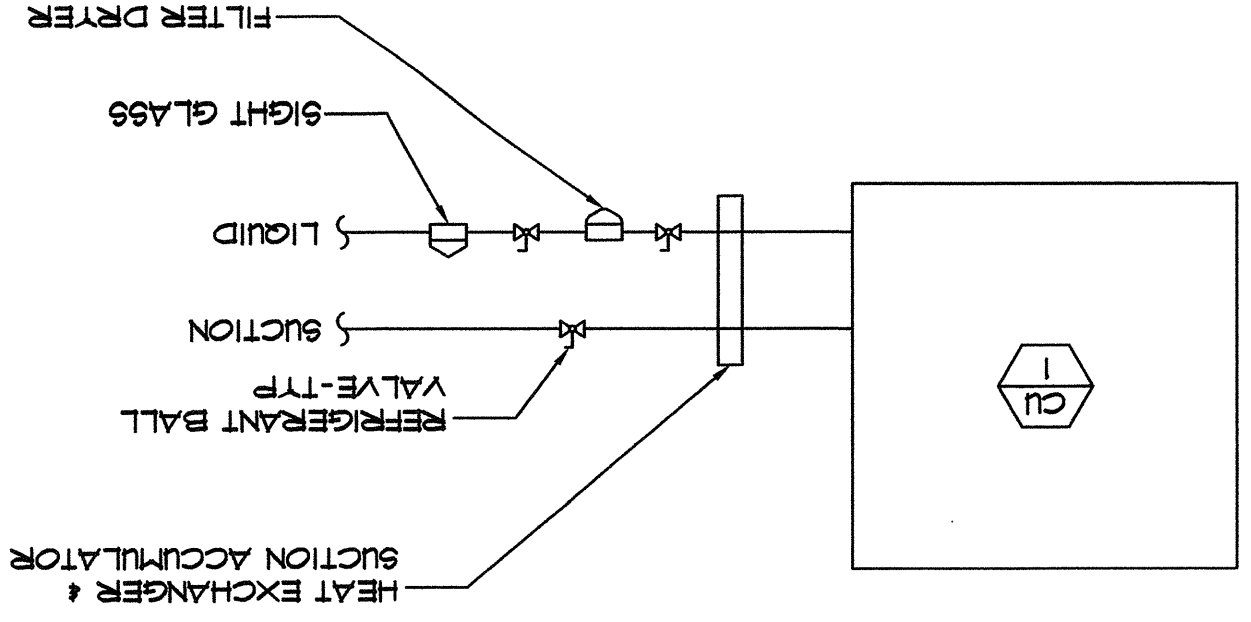
DIFFUSER AND GRILLE SCHEDULE

| SYMBOL | DESCRIPTION | MAKE & MODEL | SIZE | COLOR | NC | ACCESORIES |
|--------|--|-----------------------|---------|---------------|----|---|
| D | STEEL MODULAR DOUBLE DEFLECTION LOVERED FACE SUPPLY AIR DIFFUSER | E.H. PRICE MODEL 520D | 8"X4" | PAIN TO MATCH | 20 | VOLUME DAMPER, FRAME TYPE TO MATCH SOFFIT |
| D | STEEL MODULAR DOUBLE DEFLECTION LOVERED FACE SUPPLY AIR DIFFUSER | E.H. PRICE MODEL 520D | 10"X4" | PAIN TO MATCH | 20 | VOLUME DAMPER, FRAME TYPE TO MATCH SOFFIT |
| G | ALUMINUM EGGRATE CEILING MOUNT RETURN AIR GRILLE | E.H. PRICE 00 SERIES | 10"X8" | PAIN TO MATCH | - | FRAME TYPE TO MATCH WALL |
| G | ALUMINUM EGGRATE CEILING MOUNT RETURN AIR GRILLE | E.H. PRICE 00 SERIES | 10"X10" | OF WHITE | - | FRAME TYPE TO MATCH CEILING |

THERMOSTAT SCHEDULE

| SYMBOL | DESCRIPTION | MAKE & MODEL | ELECTRICAL | ACCESORIES |
|--------|--|-----------------------|------------|------------|
| T | ELECTRONIC, PROGRAMMABLE NIGHT SETBACK AUTO CHANGEOVER | HONEYWELL MODEL T6600 | 24V | - |

CONDENSING UNIT PIPING DETAIL



SCALE: NO SCALE

NOTICE TO BIDDERS

BIDS ARE TO BE BASED ON EXACT ITEMS (MANUFACTURER AND MODEL NUMBER) SPECIFIED UNLESS SPECIFIC WRITTEN PERMISSION TO SUBSTITUTE OTHER ITEMS HAS BEEN GRANTED BY THE ENGINEERS. THE CONTRACTOR ASSURES ALL RISK THAT ALTERNATE EQUIPMENT MAY BE REJECTED DURING THE SUBMITTAL PROCESS. THE CONTRACTOR MAY BE REQUIRED TO PROVIDE & INSTALL THE EXACT EQUIPMENT SHOWN ON THIS DRAWING. VALUE ENGINEERING ISSUES WILL BE ADDRESSED AFTER THE BID PROCESS IS COMPLETE.

mechanical schedules & details

Project no.: 05067
 scale: no scale
 date: september 15, 2005
 drawn: bt

M1.2

drawing 2 of 2

deli towne usa expansion
 3610 lakeside drive
 reno, nevada

project: []
 revisions: []
 © 2005 Alouin Architecture

registration: []

ASPEN ENGINEERING
 6450 South McCarran Blvd., Suite D36
 Reno, Nevada 89509
 3748 lakeside drive, suite 101
 reno, nv 89509
 775.324.8811
 fax 770.0110
 alouin@architecture.com